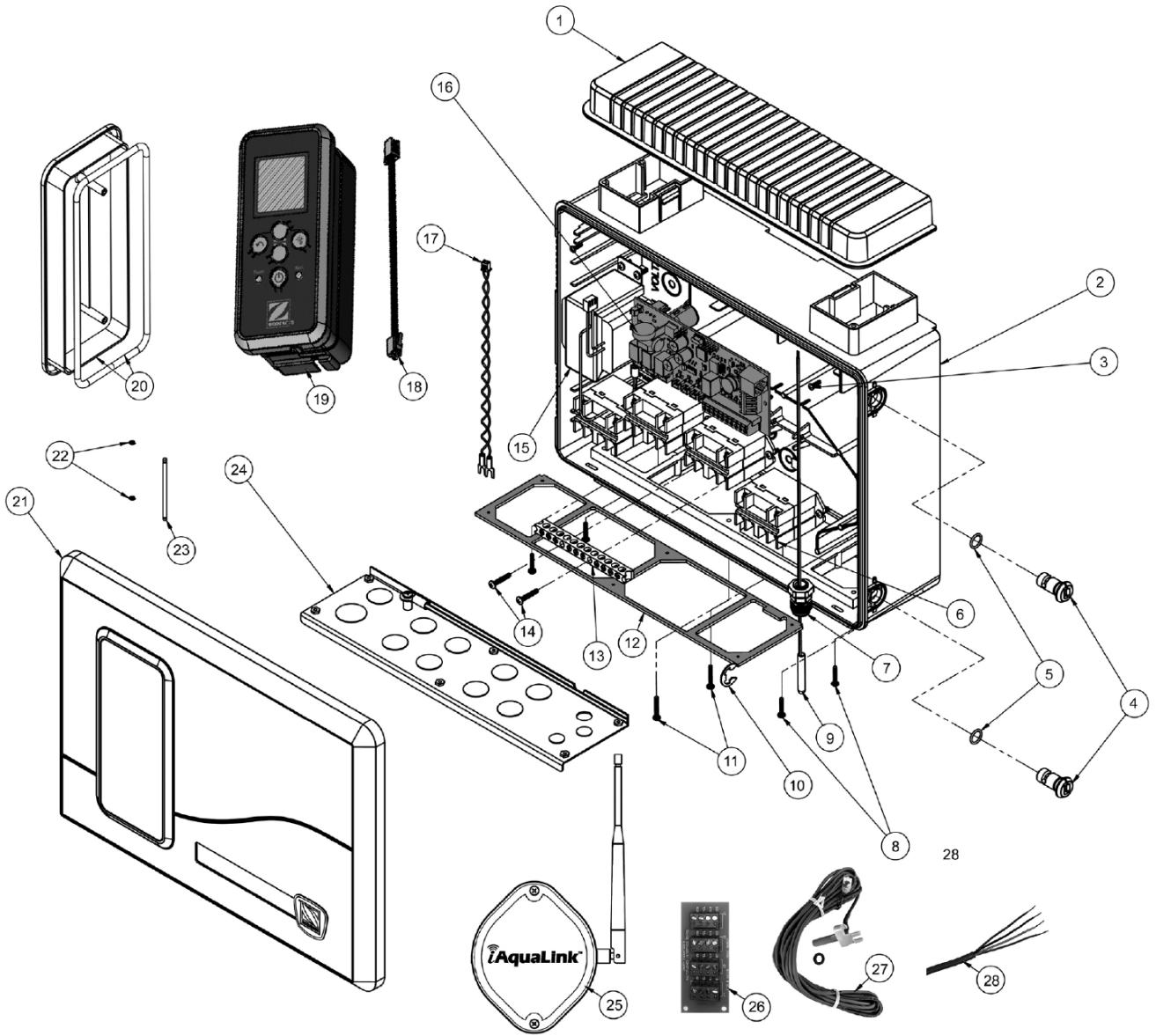


AquaLink TRI



AquaLink TRi

<i>detail</i>	<i>identifikace</i>	<i>popis</i>
1+2+3	WR0569700	R-Kit Aqualink Tri enclosure complete
1+3	WR0568900	R-KIT top vent cover (cover+2 screw)
4+5+10	WR0568400	R-KIT door tumbles
6+17	WR0658100	R-KIT relay (relay + 24V wiring)
7	WR0569500	R-KIT cable glands <i>(without sticker)</i>
9	WR0568500	R-KIT air temp sensor (with 5m cable) <i>Cover</i>
8+11+12+24	WR0569100	R-KIT metal base plate <i>Cover</i>
13+14	WR0568700	R-KIT grounding bar (bar 2 screws) <i>Cover</i>
15	WR0569300	R-KIT 220-240 VAC/50Hz transformer
16	WR0568200	R-KIT main power PCB (with 2 screws)
18+19	WR0568300	R-KIT user interface assembly
20	WR0568600	R-KIT blanking plate assembly <i>BNC plate</i>
21+22+23	WR0569401	R-KIT Aqualink Tri door assembly <i>(per item: 2 per hose)</i>
/	WF0115101	Plastite screw 4x3/8"
/	WF0115201	Plastite screw 6x3/8"
25	WIQ900-E	R-KIT iAqualink antenna
25	WIQ20-E	R-KIT iAqualink 2.0 antenna
26	WR0570200	R-KIT multiplex board
27	WR0570100	R-KIT water/solar temp sensor
28	W4278+	RS485 cable for iAqualink-compatible <i>products connection</i>